



Serving the
Children
of the World



Danvers Kiwanis News for Tuesday January 31th, 2012

Volume 1, Issue 4

By Gayla

Club News

Pres. Jesse started the meeting right on time at 12:15 with Pledge of Allegiance. CR Lyons said the blessing. Thank you CR.

GUESTS/BIRTHDAYS: The guests were David Deluliis and Denise Peters who were also our speakers. David informed us of the life and history of MADD, followed by Denise who shared how she lost her only son in a auto accident We did have several birthdays. Gigi Miller on 2/1, Sharon Clark on 2/3 ,Peter Hjorth on 2/6, and Maureen Bernard on 2/6. Happy Birthday to everyone.

GAMES: Free Meal was won by **Maureen Bernard**. Card game was not won by either of the names whose tickets were pulled: the losers were **Alan Hartnett**, and **Frank Herschede**.



- At the Board of Directors meeting on Tuesday night, we voted in a new member: Ellen Lefavour. Welcome aboard Ellen. Gave: Danvers Girls Softball \$250.00 (we will have our names on their jerseys); The Good Friday Walk received \$150.00. Ad finally, we funded the BUG Program for another year.
- On Thursday afternoon Alan stoked up the fire at the Maple Street Church to serve a scrumptious pork roast dinner with roast potatoes and green beans accompanied with home made apple sauce. It got topped off with Kelly Delany's Opera Cake donated just for the occasion. About 65 people were fed for free... it being the Welcome Table's 2nd anniversary.
- Jesse had been thinking about having a party in February, and had asked the board to hold the date, but after talking with the Board, he decided that it would be more advantageous to hold off until after the Pancake Breakfast. So a party is looking to be more likely in April. Something to look forward to.

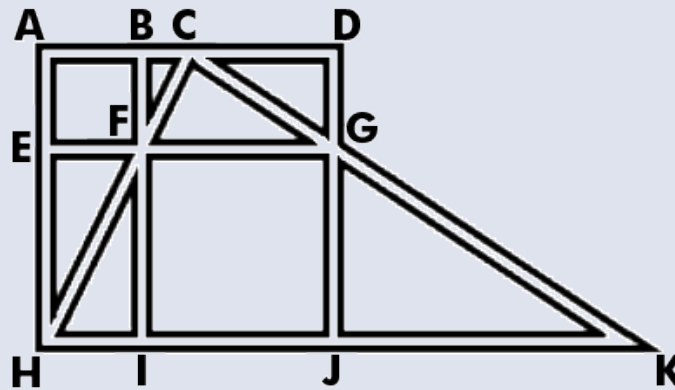
Happy Dollars:

1. Kay Maurice-To eat I was starving today!
2. Matt F-Super bowl
3. Sue Tagg- That the Pats are in the super bowl
4. Dave Townley-Go Pats
5. Jessie James-great welcome table
6. Susan Rogers-For a great Welcome Table
7. Myrna-For Saturdays YMCA Snow Ball
8. Med-For the upcoming snowball this Saturday at the YMCA
9. Maureen Gillis-Snowball at Danvers YMCA this Saturday night
10. Doug Rendell-Kitchen Cabinets will e delivered on Monday
11. Maureen Bernard-For the club singing to me on my birthday
12. Doc Comeau-To be among friends
13. David Deimis-MADD Guest-To be invited to lunch
14. C.R. Lyons-That Gayla is running for town meeting
15. Ellie Ross-That Gayla is running for town meeting
16. Sandy Lane-very glad to finally get back here for a meeting
17. Gayla -To spend some time with Frank T
18. Larry Crowley- Barbara is back to work
19. Dan Brothers-To see my friends
20. Pat small-Jims Back
21. Jim Tallo- Happy to be back
22. Frank Herschede-Ski Weekend in vt



Brain teaser of the week:

The map below shows the street locations of a city. Position three police officers such that the entire length of every street can be seen by at least one officer.



KEY KIWANIS DATES . . .

- Danvers Y's Annual Snow Ball, Saturday, February, 4th, @ 7pm Tickets \$ 50.00 ea
- The Danvers Historical Society will present "Political Memorabilia From the Lincoln Years On" with guest speaker, Alan Hartnett, on Wednesday, Feb. 8, 2012. This timely topic is sure to interest many. Alan has a passion for and has been collecting memorabilia for his extensive collection for years now. Please come and be entertained. Program begins at 7:00PM at Tapley Memorial Hall, 13 Page Street, Danvers. Light refreshments will be served. Reservations please to 978.777.1666 or dhs@danvershistory.org. Snow date for this event is Wed., Feb. 15, 2012.